

CARDOX[®] Low Pressure Carbon Dioxide Spooled Hose and Reel



Effective: December 2019
K-64-051 Rev AA

FEATURES

- *UL Listed for LPCO₂ Service*
- *1-in ID Hose*
- *Factory spooled hose lengths (50-ft or 100-ft)*
- *Efficient site installation*
- *Mistake-proof logistics*

DESCRIPTION

The spooled hose and reel assembly offers a more efficient installation of the LPCO₂ Hose Line System and, by virtue of a single part number for the required parts, a mistake-proof convenience for ordering and shipping purposes. This assembly consists of Kidde's proven 1-in ID hose line factory fitted onto a rugged corrosion protected, red colored wall mounted reel along with any corresponding swivel adapters.

SPECIFICATIONS

See Referenced Components

ORDERING INFORMATION

Description	Part Number
Reel w/50-ft x 1" ID Hose	70260677
Reel w/100-ft x 1" ID Hose	70260678

REFERENCED COMPONENTS

Description	Reference Data Sheet
Hose Line System	K-64-050
Reel, Spare	K-64-052
Adapter, Swivel	K-64-053
Hose Line, 1"	K-64-054

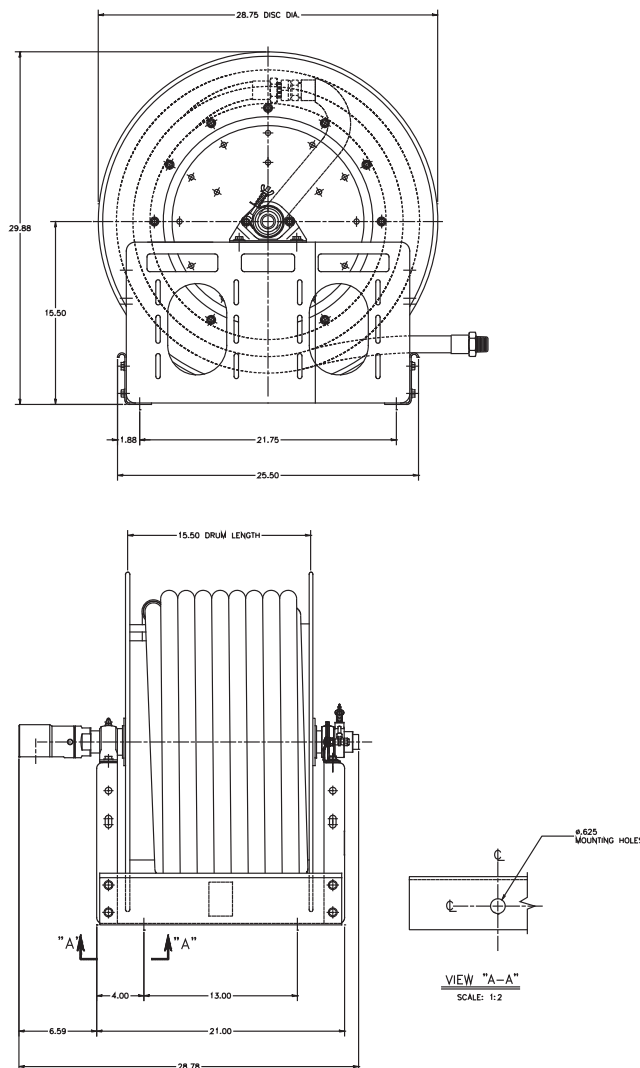


Figure 1. Spooled Hose and Reel Dimensions

EXPORT INFORMATION (USA)

Jurisdiction: EAR

Classification: EAR99

This document contains technical data subject to the EAR.

Cardox is a registered trademark of Kidde-Fenwal, Inc., or its parents, subsidiaries, or affiliates. All trademarks are the property of their respective owners. ©2019 Kidde-Fenwal, Inc.

This literature is provided for informational purposes only. KIDDE-FENWAL, INC. believes this data to be accurate, but it is published and presented without any guarantee or warranty whatsoever. KIDDE-FENWAL, INC. assumes no responsibility for the product's suitability for a particular application. The fire suppression system design, installation, maintenance, service and troubleshooting must be performed by trained, authorized Kidde Fire Systems distributors for the product to work correctly. If you need more information on this product, or if you have a particular problem or question, contact KIDDE-FENWAL, INC., Ashland, MA 01721 USA. Telephone: (508) 881-2000.

Kidde Fire Systems
400 Main Street
Ashland, MA 01721
Ph: 508.881.2000
Fax: 508.881.8920
kiddefiresystems.com